

# SJ4720/26/32

## ELECTRIC SCISSORS



### STANDARD FEATURES

- Drivable at full height
- Integrated SKYCODED™ control and overload system
- On-board visual interface with diagnostic capabilities
- Standard Skyjack colour coded and numbered wiring
- Shroud style, impact resistant composite control box with extended cable
- Proportional controls for drive and lift functions
- Tilt alarm (3.5° x 1.5°) with drive and lift cut-out
- Swing out cabinets for easy access
- 24V DC Power with low voltage battery protection
- Universal smart charger
- Variable speed, rear two wheel hydraulic drive
- Solid rubber, non-marking tyres
- 25% Gradeability
- Dual SAHR holding brakes
- 1.22 m Roll out extension deck
- Fold down hinged railings
- Half height spring hinged entry gate
- Lanyard attachment points
- Wiring for AC outlet at platform
- Pothole protection system
- Forklift pockets and tie down / lift lugs
- Single point emergency lowering
- Arm guard with slow close descend
- Flashing light
- Operator horn
- Telematics ready

### OPTIONS

- Light duty pipe rack
- Heavy duty pipe rack
- Board carrier
- Tool caddy
- All motion audible alarm
- Dual flashing lights
- 250 Ah Batteries
- AGM Batteries (140 Ah)
- Lockable swingout trays
- Full height spring hinged entry gate
- Bio oil
- Secondary Guarding Lift Enable (SGLE)
- ECOTRAY leak containment system
- ELEVATE telematics
- ELEVATE Battery Management System (BMS)\*

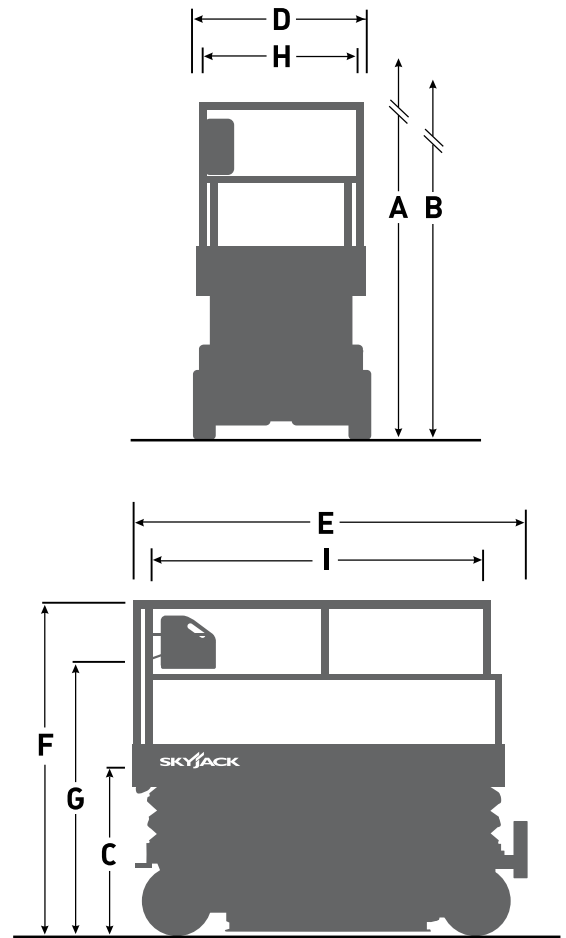
† Standard lead times may be increased when optional equipment is added, consult factory.

‡ Capacities and machine weights may differ when options are added.

\* Only available with ELEVATE telematics

# SJ4720/26/32 ELECTRIC SCISSORS

| Dimensions                                      | SJ4720                  | SJ4726                | SJ4732                  |
|---|-------------------------|-----------------------|-------------------------|
| <b>A</b> Work Height                            | 7.94 m                  | 9.82 m                | 11.65 m                 |
| <b>B</b> Raised Platform Height                 | 5.94 m                  | 7.82 m                | 9.65 m                  |
| <b>C</b> Lowered Platform Height                | 0.99 m                  | 1.17 m                | 1.27 m                  |
| <b>D</b> Overall Width                          | 1.19 m                  | 1.19 m                | 1.19 m                  |
| <b>E</b> Overall Length                         | 2.32 m                  | 2.32 m                | 2.32 m                  |
| <b>F</b> Stowed Height (Rails Up)               | 2.10 m                  | 2.29 m                | 2.39 m                  |
| <b>G</b> Stowed Height (Rails Down)             | 1.72 m                  | 1.90 m                | 1.99 m                  |
| <b>H</b> Platform Width (Inside Dimension)      | 1.07 m                  | 1.07 m                | 1.07 m                  |
| <b>I</b> Platform Length (Inside Dimension)     | 2.11 m                  | 2.11 m                | 2.11 m                  |
| Specifications                                  | SJ4720                  | SJ4726                | SJ4732                  |
| Extension Deck (Roll Out)                       | 1.22 m                  | 1.22 m                | 1.22 m                  |
| Ground Clearance (Pothole Raised)               | 10.2 cm                 | 10.2 cm               | 10.2 cm                 |
| Ground Clearance (Pothole Deployed)             | 1.3 cm                  | 1.3 cm                | 1.3 cm                  |
| Wheelbase                                       | 1.75 m                  | 1.75 m                | 1.75 m                  |
| Weight  | 2,040 kg                | 2,135 kg              | 2,571 kg                |
| Gradeability                                    | 25%                     | 25%                   | 25%                     |
| Turning Radius (Inside)                         | 0.71 m                  | 0.71 m                | 0.71 m                  |
| Turning Radius (Outside)                        | 2.64 m                  | 2.64 m                | 2.64 m                  |
| Lift Time (With Rated Load)                     | 26 sec                  | 52 sec                | 50 sec                  |
| Lower time (With Rated Load)                    | 21 sec                  | 32 sec                | 42 sec                  |
| Drive Speed (Stowed)                            | 2.9 km/h                | 2.9 km/h              | 2.9 km/h                |
| Drive Speed (Raised)                            | 1.0 km/h                | 1.0 km/h              | 1.0 km/h                |
| Maximum Drive Height                            | Full Height             | Full Height           | Full Height             |
| Capacity (Overall)                              | 590 kg                  | 454 kg                | 318 kg                  |
| Distributed Capacity (Main Platform)            | 454 kg                  | 318 kg                | 205 kg                  |
| Distributed Capacity (Extension Deck)           | 136 kg                  | 136 kg                | 113 kg                  |
| Local Floor Load (With Rated Load)              | 790 kN/m <sup>2</sup>   | 856 kN/m <sup>2</sup> | 856 kN/m <sup>2</sup>   |
| Overall Floor Load (With Rated Load)            | 1,014 kg/m <sup>2</sup> | 998 kg/m <sup>2</sup> | 1,125 kg/m <sup>2</sup> |
| Maximum # of persons at 0 m/s wind rating       | 3                       | 3                     | 2                       |
| Maximum # of persons up to 12.5 m/s wind rating | 3                       | 1                     | 1                       |
| Tyre Type                                       | Solid, N/M              | Solid, N/M            | Solid, N/M              |
| Tyre Size                                       | 16 x 5 x 12             | 16 x 5 x 12           | 16 x 5 x 12             |



[www.skyjack.com](http://www.skyjack.com)

Skyjack Großbritannien  
Unit 1, Maes-y-Clawdd  
Maesbury Road Industrial Estate  
Oswestry, Shropshire, SY10 8NN  
Tel: +44 1691 676235  
Fax: +44 1691 676239  
E-Mail: info@skyjackeurope.co.uk

Skyjack SAS Frankreich  
74 Rue Sibert  
F-42400 Saint-Chamond  
Frankreich  
Tel: +33 (0) 4 78 73 53 32  
Fax: +33 (0) 4 78 56 52 42

Skyjack Hebebühnen GmbH  
Deutschland  
Därmanbusch 2a  
D-58456 Witten  
Tel: +49 (0) 2302 20 26 909  
Fax: +49 (0) 2302 20 25 671

Skyjack AB Schweden  
Agnesbergsvägen 28  
424 38 Agnesberg  
Schweden  
Tel: +46 (0) 31 21 22 45  
Fax: +46 (0) 31 787 65 10

**SKYJACK**  
simply reliable