

SJ6832 RTE

ELECTRIC ROUGH TERRAIN SCISSORS



STANDARD FEATURES

- Drivable at full height
- Relay based control system
- Overload sensing system
- Standard Skyjack colour coded and numbered wiring
- Shroud style, impact resistant composite control box with extended cable
- Proportional controls for drive and lift functions
- Tilt alarm (4.5° x 2.5°) with drive and lift cut-out
- Lift up side doors for easy access
- 16hp AC Electric motor with motor controller
- 48V 250Ah Battery pack with low voltage protection
- Universal smart charger
- Crossover symmetrical 4WD
- Foam filled grip lug non-marking tyres
- 45% Gradeability
- Multiple SAHR holding brakes
- 1.52 m Roll out extension deck
- Fold down hinged railings
- Full height spring hinged entry gate
- Lanyard attachment points
- Wiring for AC outlet at platform
- Forklift pockets and tie down / lift lugs
- Emergency lowering system
- Arm guard with slow close descend
- Flashing light
- Operator horn
- Telematics ready

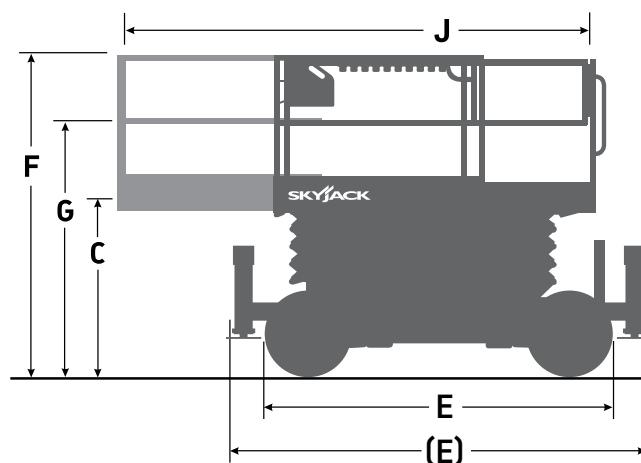
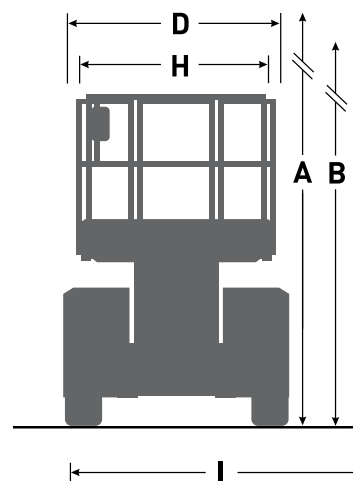
OPTIONS

- Heavy duty pipe rack
- Tool caddy
- All motion audible alarm
- Independent / automatic levelling outriggers (increases length and weight)
- Hybrid Diesel Power Pack
- High Capacity AGM Batteries (330 Ah)
- Bio oil
- Secondary Guarding Lift Enable (SGLE)
- ELEVATE telematics

† Standard lead times may be increased when optional equipment is added, consult factory.
‡ Capacities and machine weights may differ when options are added.

SJ6832 RTE ELECTRIC ROUGH TERRAIN SCISSORS

Dimensions	SJ6832 RTE
A Work Height	11.75 m
B Raised Platform Height	9.75 m
C Lowered Platform Height	1.37 m
D Overall Width	1.76 m
E Overall Length	2.72 m (*3.35 m)
F Stowed Height (Rails Up)	2.51 m
G Stowed Height (Rails Down)	1.75 m
H Platform Width (Inside Dimension)	1.42 m
I Platform Length (Inside Dimension)	2.44 m
J Platform Length (Deck Extended)	4.11 m
Specifications	SJ6832 RTE
Extension Deck	1.52 m
Ground Clearance	0.20 m
Wheelbase	2.04 m
Weight	3,780 kg (*3,845 kg)
Gradeability	38%
Turning Radius (Inside)	1.52 m
Turning Radius (Outside)	3.96 m
Lift Time (With Rated Load)	39 sec
Lower time (With Rated Load)	36 sec
Drive Speed (Stowed)	4.0 km/h
Drive Speed (Raised)	0.6 km/h
Maximum Drive Height	Full Height
Capacity (Overall)	454 kg
Distributed Capacity (Main Platform)	318 kg
Distributed Capacity (Extension Deck)	136 kg
Local Floor Load (With Rated Load)	1,490 kN/m ²
Overall Floor Load (With Rated Load)	925 kg/m ²
Maximum # of persons up to 12.5 m/s wind rating	4
Hydraulic Reservoir	87 L
Outrigger Levelling (Front to Back / Side to Side)	5° / 8°
Tyre Type	Foam-Filled
Tyre Size	26 x 12



www.skyjack.com

Skyjack UK
Unit 1, Maes-y-Clawdd
Maesbury Road Industrial Estate
Oswestry, Shropshire, SY10 8NN
Tel: +44 1691 676235
Fax: +44 1691 676239
Email: info@skyjackeurope.co.uk

Skyjack SAS (France)
74 Rue Sibert
F-42400 Saint Chamond
France
Tel: +33 (0) 4 78 73 53 32
Fax: +33 (0) 4 78 56 52 42

Skyjack Hebebühnen GmbH
(Germany)
Därmanbusch 2a
D-58456 Witten
Tel: +49 (0) 2302 20 26 909
Fax: +49 (0) 2302 20 25 671

Skyjack AB (Sweden)
Agnesbergsvägen 28
424 38 Agnesberg
Sweden
Tel: +46 (0) 31 21 22 45
Fax: +46 (0) 31 787 65 10

SKYJACK
simply reliable