

# SJ85 AJ

## ARTICULATING BOOM



### STANDARD FEATURES

- EASYDRIVE™ Direction sensing drive and steer controls
- SPEEDYREACH™ Negative boom angle capability
- SKYRISER™ True vertical rise
- AXLDRIIVE™ Axle-based 4WD system
- Operator controlled locking rear differential and limited slip front differential
- Oscillating steer axle
- Drivable at full height
- 45% Gradeability
- Wet disc SAHR brakes (front and rear axle)
- 18 x 625 Grip lug foam-filled tires
- Relay based control system
- Standard Skyjack colour coded and numbered wiring
- Stage V diesel engine
- Swing out engine tray
- Swing up cowlings for easy access
- Proportional controls
- 227 / 341 kg Dual capacity
- 0.91 x 2.44 m Platform
- Bolt-in platform railings
- Lanyard attachment points
- Tri-entry sliding mid-rail
- Secondary Guarding Electrical (SGE)
- Overload sensing system
- Wiring for AC outlet to platform
- Tilt alarm (5.0° x 5.0°) with drive and lift cut-out
- Single point emergency lowering
- 360° Continuous turret rotation
- Tie down/lifting lugs
- Hourmeter
- Operator horn
- Lockable power disconnect switch

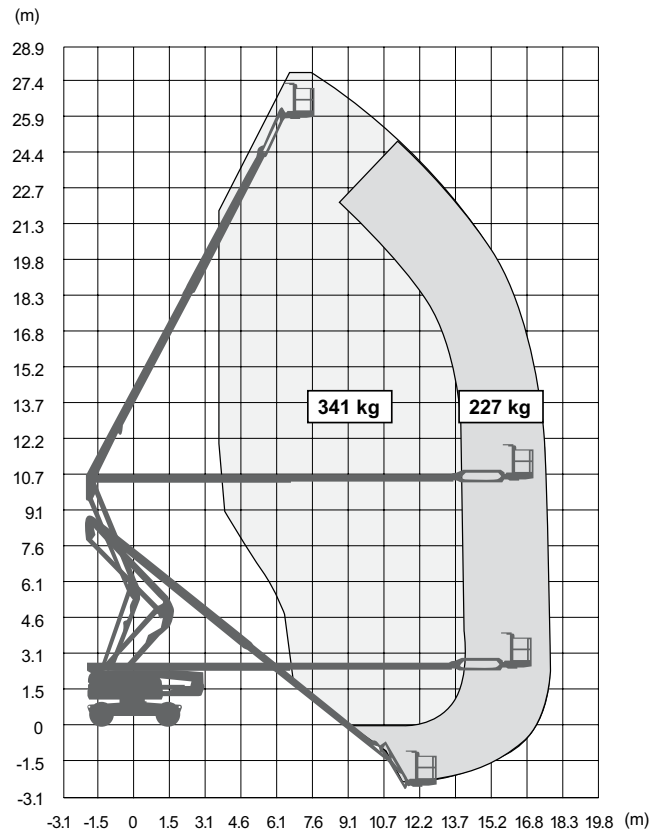
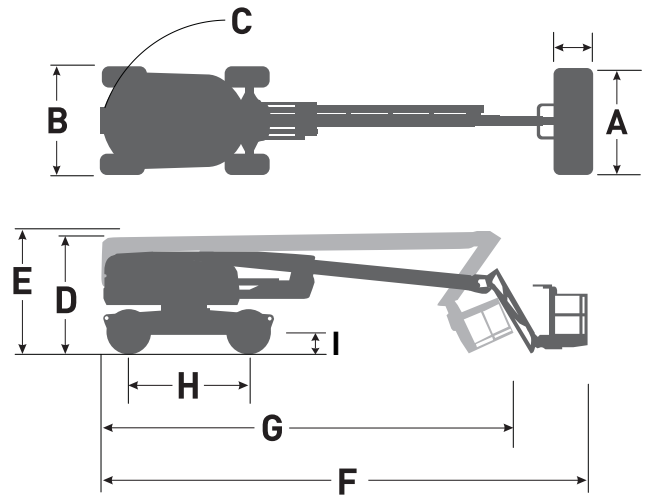
### OPTIONS

- Pipe rack
- Tool caddy
- Flashing light
- All motion audible alarm
- Rear spring hinged entry gate
- Auxiliary top rail (0.91 x 2.44 m platform only)
- 3.5 kW Generator (includes hydraulic oil cooler)
- Deutz D2011L04i Diesel engine (export only)
- Hydraulic oil cooler
- Bio oil
- Control box cover
- Grip lug foam-filled non-marking tyres
- Hostile environment package (includes cylinder bellows, boom wipers, covers for the fly boom cutouts, and control box cover)
- ELEVATE telematics

† Standard lead times may be increased when optional equipment is added, consult factory.  
‡ Capacities and machine weights may differ when options are added.

# SJ85 AJ ARTICULATING BOOM

Dimensions	SJ85 AJ
Work Height	27.91 m
Platform Height	25.91 m
Horizontal Reach	17.07 m
Work Reach	17.72 m
Up and Over Height	10.36 m
<b>A</b> Platform Size	0.91 x 2.44 m
<b>B</b> Stowed Width	2.49 m
<b>C</b> Tailswing	0.86 m
<b>D</b> Stowed Height	2.67 m
<b>E</b> Transportation Height	2.67 m
<b>F</b> Stowed Length	11.63 m
<b>G</b> Transportation Length	10.03 m
<b>H</b> Wheelbase	2.84 m
<b>I</b> Ground Clearance	0.34 m
Specifications	SJ85 AJ
Rotation	360° Continuous
Platform Rotation	170°
Jib Length	1.68 m
Jib Range +/-	+65°/-60°
Weight	16,965 kg
Gradeability	45%
Turning Radius (Inside)	3.05 m
Turning Radius (Outside)	6.22 m
Axle Oscillation	10.16 cm
Drive Speed (High Speed)	4.8 km/h
Capacity	227 / 341 kg
Local Floor Load (With Rated Load)	12.01 kg/sq cm
Overall Floor Load (With Rated Load)	1,782 kg/sq m
Maximum # of persons up to 12.5 m/s wind rating	2 / 3
Tyre Type	Foam-Filled
Tyre Size	18-625
Diesel Engine	Deutz TCD2.2L - 74 HP (55 KW)
Fuel Tank Capacity	115 L
Hydraulic Reservoir	170 L



**SJ85 AJ WORKING ENVELOPE**

[www.skyjack.com](http://www.skyjack.com)

Skyjack UK  
Unit 1, Maes-y-Clawdd  
Maesbury Road Industrial Estate  
Oswestry, Shropshire, SY10 8NN  
Tel: +44 1691 676235  
Fax: +44 1691 676239  
Email: info@skyjackeurope.co.uk

Skyjack SAS (France)  
74 Rue Sibert  
F-42400 Saint Chamond  
France  
Tel: +33 (0) 4 78 73 53 32  
Fax: +33 (0) 4 78 56 52 42

Skyjack Hebebühnen GmbH  
(Germany)  
Därmanbusch 2a  
D-58456 Witten  
Tel: +49 (0) 2302 20 26 909  
Fax: +49 (0) 2302 20 25 671

Skyjack AB (Sweden)  
Agnesbergsvägen 28  
424 38 Agnesberg  
Sweden  
Tel: +46 (0) 31 21 22 45  
Fax: +46 (0) 31 787 65 10

**SKYJACK**  
simply reliable