

# TOPY 11 / FORD TRANSIT

MADE IN FRANCE



**NEW**



TELECOM



LT LEASING COMPANIES



AUTHORITIES



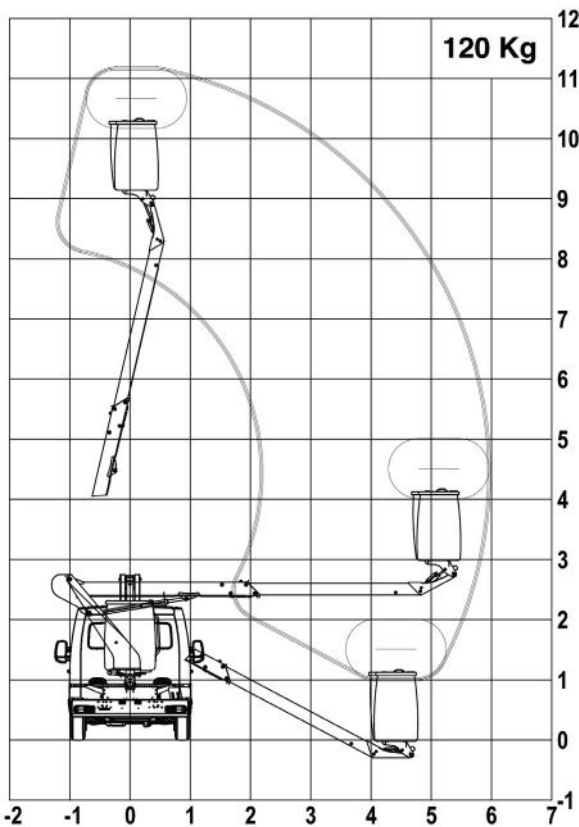
SIGNS/PUBLICITY



RETAILERS

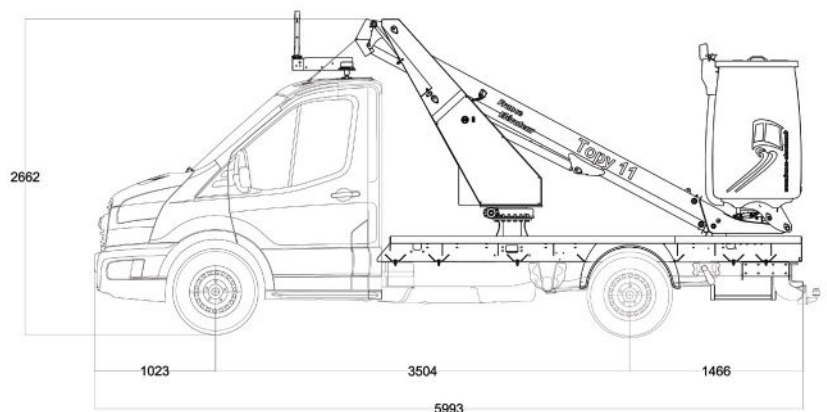


LIGHTING



A concept which was invented by FE over 20 years ago and which has been constantly updated, this unit is the **most economical way** to lift people up to the heights where many of the public or private systems are located on which our society needs to operate (street lighting, signs, video-surveillance, telecom, etc.). **Simplicity and performance** are the key-elements for this key model in the FE range.

- **Compact and simple**
- **High payload**
- **Quick to operate**
- Excellent working height and outreach **performance**
- **Numerous options adapted** to each sector and activity
- Available as an « **ecological** » version



# TECHNICAL SPECIFICATIONS

As standard : ● Optional : ○

Working height	11,00 m	●
Floor height	9,00 m	●
Maximum outreach without stabilisers	6,00 m	●
Maximum outreach with stabilisers	6,00 m	○
Basket load	120 kg / 1 person	●
Turret rotation	400°	●
Minimum PTAC	3 500 kg	●
Steel arm with 1 telescopic element		●
Cable chain holder inside the telescope		●
Electro-hydraulic and sequential commands		●
1000 V insulated full opening fibre basket	850/1300 (2p.) x 780 x 1150 mm	●
Maximum usage tilt / slope	5% / 15%	●
Alarm tilt detector		●
Priority electro-hydraulic back-up console		●
Manual backup pump		●
Time counter		●
Return to road position light in cab		●

# EQUIPMENT

Engine start and stop in the basket		○
Basket horn		○
Backup generator		○
Engine-powered clutch-hydraulic pump		○
230 V plug in the basket and differential protection		○
Removable and insulated toolbox in the basket		○
12Vdc-230 Vac - 2 Kva converter		○
Removable and adjustable 12 Vdc LED working light		○
Toolbox(es) on platform		○
Aluminium skirts		○
Ladder holder on unit		○
Cone holder		○
Signal panel support		○
Coupling hook (depending on GVW)		○
2 LED flash lights + retro-reflective marking C1		○
Flashing light under the basket		○
BT 200 (including full door BT200 basket + backup generator)		○
2 stabilisers		○
Basket load	200 kg / 2 people	○
Electrical operation on battery pack		○
Aluminium basket		○
Maintenance contract		○

Updated : 09/2021



ZAC DU PLATEAU  
54630 FLAVIGNY SUR MOSELLE - FRANCE

Tél. +33 (0)3 83 23 31 32

commercial@france-eleveur.fr | www.france-eleveur.fr

**BORDEAUX**

33450 Montoussan  
☎ +33 (0)5 56 89 90 72

**PARIS SUD**

91220 Brétigny sur Orge  
☎ +33 (0)1 60 85 14 23

**LAVAL**

53000 Laval  
☎ +33 (0)2 43 49 07 28

**MARSEILLE**

13300 Salon de Provence  
☎ +33 (0)4 90 59 36 27

**LENS**

62970 Courcelles les Lens  
☎ +33 (0)3 21 79 32 15

**BENELUX**

8587 Espierres  
☎ +32 (0)56 51 40 26

**PARIS OUEST**

95310 St-Ouen l'Aumône  
☎ +33 (0)1 39 22 12 12

**TOULOUSE**

31770 Colomiers  
☎ +33 (0)5 34 35 83 50

**LYON**

69800 Saint-Priest  
☎ +33 (0)4 37 25 33 90

**NANTES**

44220 Couëron  
☎ +33 (0)2 40 57 02 83

**CLERMONT-FERRAND**

63050 Clermont-Ferrand  
☎ +33 (0)4 73 84 23 22

**ALLEMAGNE**

04179 Leipzig  
☎ +49 (0)341/30 88 95-0