

ML-LINE

MULTI-LOADER 6.0



CRAWLER CARRIER

ALMACRAWLER 

MULTI-LOADER 6.0

Multi-Loader is the last generation tracked crawler carriers, equipped with bi-levelling system and radio-controlled.

Loading capacity

The new Multi-Loading tracking system offers the possibility to handle different types of loads up to 6 t of weight.

Crawler traction and low ground pressure

The unique Bi-Lavelling crawler traction allow the carrier to operate on all different type of terrain, ensuring the maximum manoeuvrability and precision even in the narrowest spaces, with the minimum ground pressure.

Dynamic Levelling

The levelling of the load-deck is completely automatic when using the Dynamic Levelling System even on slopes or uneven surfaces.

Multi-Loader can overcome both longitudinal slopes until 20° and lateral slopes until 25° at the same time, always ensuring the absolute integrity of the load being carried.

Engines available

The Multi-Loader 6.0 is available in 3 versions with different types of engines.

The full electric model, the **Multi Loader ELC**, has the innovative Lead Crystal n°8 180Ah 48V provides 8 hours of working time in mixed cycle, taking advantage of a maximum movement speed of 2.6 km/h.

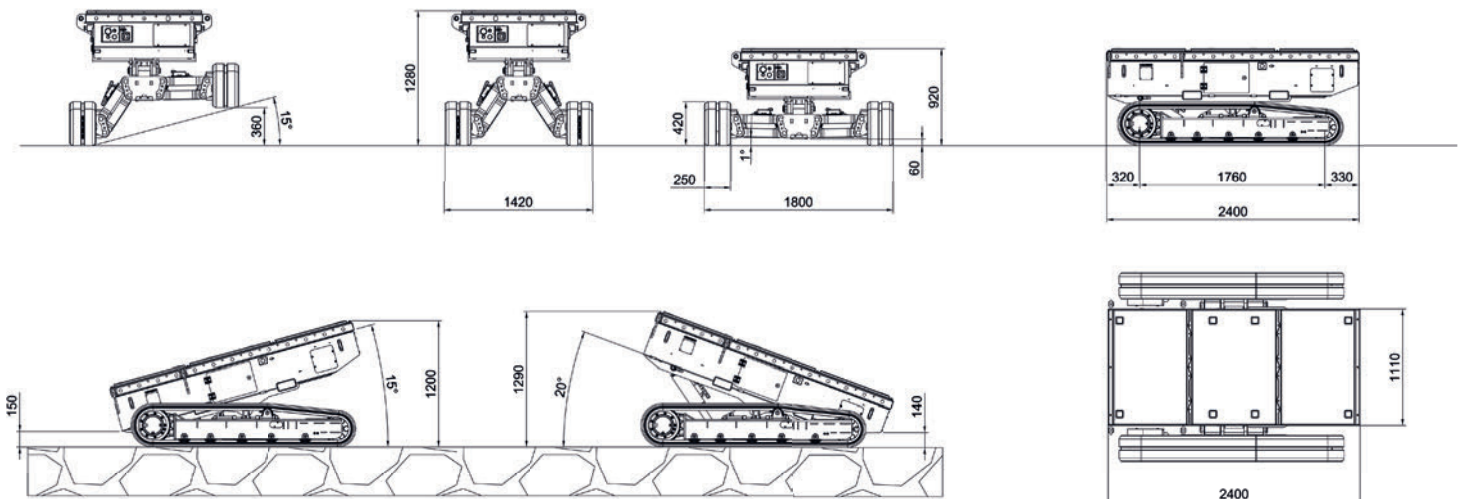
An High-Frequency battery charger directly installed inside the main chassis, allows the full charge of the Multi-Loader in only 5 hours, while an auxiliary mains electric pump 220V-2,2 kW enables the possibility to use the carrier also during the battery charging.

The **Multi Loader EVO** equipped with high-performance internal combustion engine Yanmar 3TNV76 (diesel) - 25HP, reaches maximum speeds of 3.7 km/h. This model is especially suitable for outside use.

The **Multi Loader Bi-Energy** have a double motorization, thermic and electric, that provides full versatility, both for inside or outside applications.

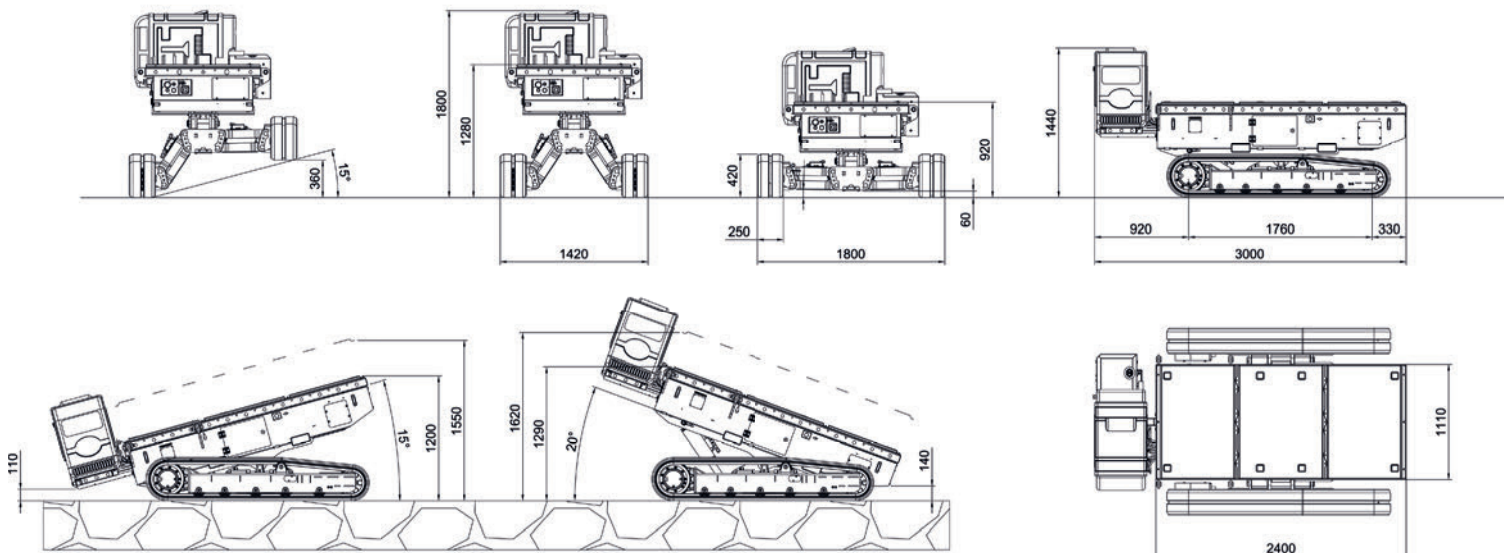


MULTI-LOADER 6.0 ELC

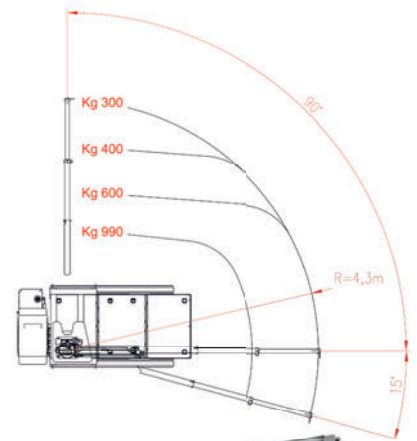
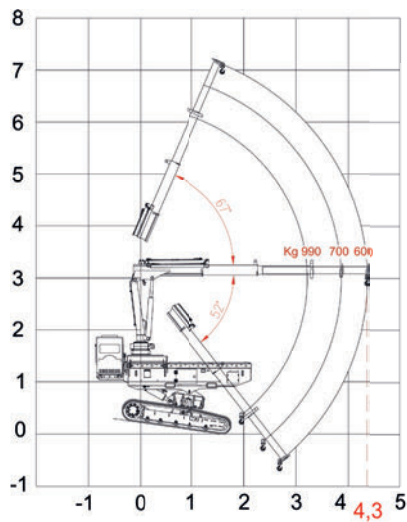
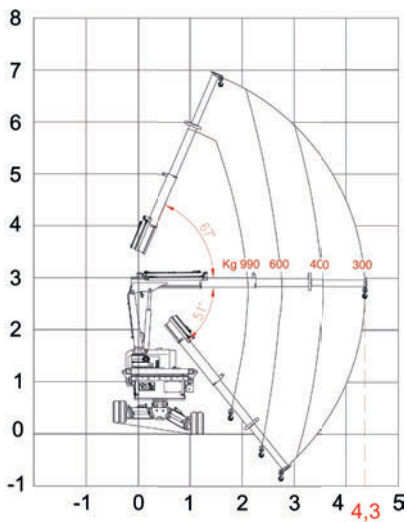
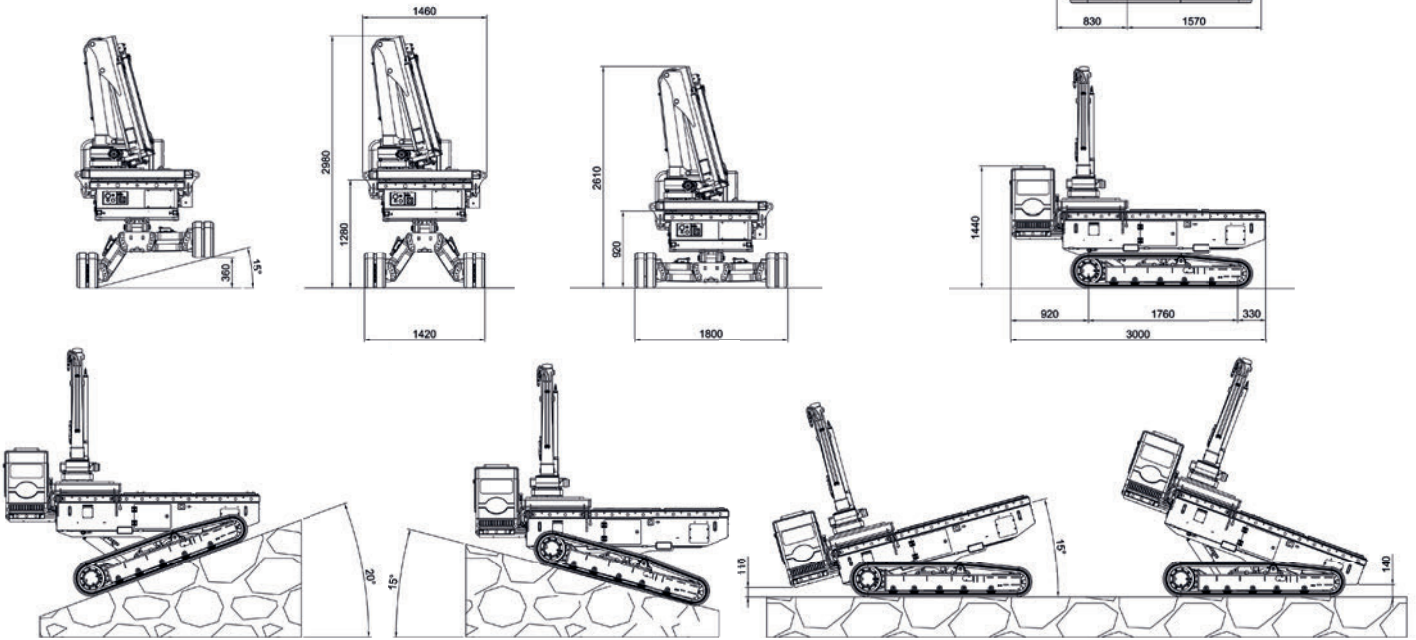


Technical data	MULTI-LOADER 6.0 ELC	MULTI-LOADER 6.0 EVO	MULTI-LOADER 6.0 Bi-Energy	MULTI-LOADER 6.0 Bi-Energy with crane
Max capacity	6000 kg	6000 kg	6000 kg	5500 kg
Min height	0.92 m	1.44 m	1.44 m	2.61 m
Min width	1.42 m	1.42 m	1.42 m	1.42 m
Max width	1.8 m	1.8 m	1.8 m	1.8 m
Dynamic levelling	Yes	Yes	Yes	Yes
Battery autonomy	8 h	-	5 h	5 h
Powered	-	Yanmar 3TNV76 (diesel) - 25HP	Yanmar 3TNV76 (diesel) - 25HP	Yanmar 3TNV76 (diesel) - 25HP
Powered (electric engine)	48V - 3kW	-	48V - 3kW	48V - 3kW
Battery pack	Lead Crystal n°8 180Ah 48V	-	Lead Crystal n°8 180Ah 48V	Lead Crystal n°8 180Ah 48V
Battery charger	n°2 20Ah-110/220V	-	n°2 20Ah-110/220V	n°2 20Ah-110/220V
Recharging time	5 h	-	5 h	5 h
Console	Remote	Remote	Remote	Remote
Undercarriage	Bi-Levelling	Bi-Levelling	Bi-Levelling	Bi-Levelling
Longitudinal levelling Front	20°	20°	20°	20°
Longitudinal levelling Rear	15°	15°	15°	15°
Lateral levelling	+/- 15°	+/- 15°	+/- 15°	+/- 15°
Electric pump	-	220V-2kW or 110V-1,9kW	-	-
Hydraulic commands	Proportionals	Proportionals	Proportionals	Proportionals
Direction-Control System	Yes	Yes	Yes	Yes
Easy-Drive System	Yes	Yes	Yes	Yes
Kit for high speed	max 2.6 km/h	max 3.7 km/h	max 3.7 km/h	max 3.7 km/h
Control of inclination	Automatic	Automatic	Automatic	Automatic
Gradeability	25°	25°	25°	25°
Side slope	25°	25°	25°	25°
Length	2.4 m	3.0 m	3.0 m	3.0 m
Total weight	2250 kg	2250 kg	2550 kg	2990 kg

MULTI-LOADER 6.0 EVO / BI-ENERGY



4.1 T-CRANE MULTI-LOADER 6.0



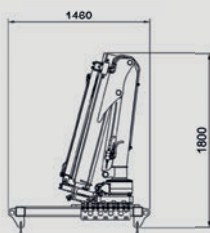
T-CRANE kit (removable) Self-propelled crane

Standard version

- Cable transducer for extension
- Absolute encoder for turrent rotation
- Inclination sensor for boom angle

Optional

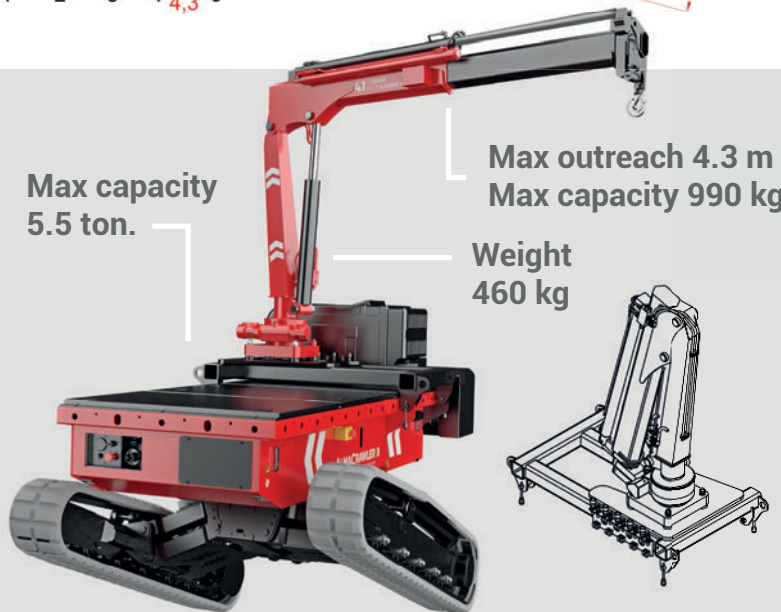
- Personalised colour



Max capacity
5.5 ton.

Max outreach 4.3 m
Max capacity 990 kg

Weight
460 kg



ALMACRAWLER

Via Caduti sul Lavoro 1
46019 Viadana (MN) - ITALY
+39 0375 83 35 27
info@almac-italia.com